



MOVING YOU FURTHER

14·16·20

25BRJ-9



Some of the photos may include optional equipment.

 **HYUNDAI**
MATERIAL HANDLING

Your satisfaction is our priority!

Compact forklift with proven AC technology

Hyundai introduces a new line of 9-series battery forklift trucks.

The newly designed sit-on reach trucks provide every operator comfortable driving, increased productivity and easy maintenance.

Performance & Efficiency

- AC traction & Pump motor
- AC controller : ZAPI
- Electromagnetic brake
- Vehicle performance optimized for working condition (H, N, E & Turtle mode)

Safety

- Curve control system
- Automatic center position at starting
- Anti roll back
- Steering angle sensing system

Convenience

- 5.6 inch LCD color monitor
- Auto tilt leveling system (OPT)
- Load weight indicator (OPT)
- Fork camera & monitor (OPT)
- Fingertip control (STD) & Joy stick control (OPT)

Maintenance

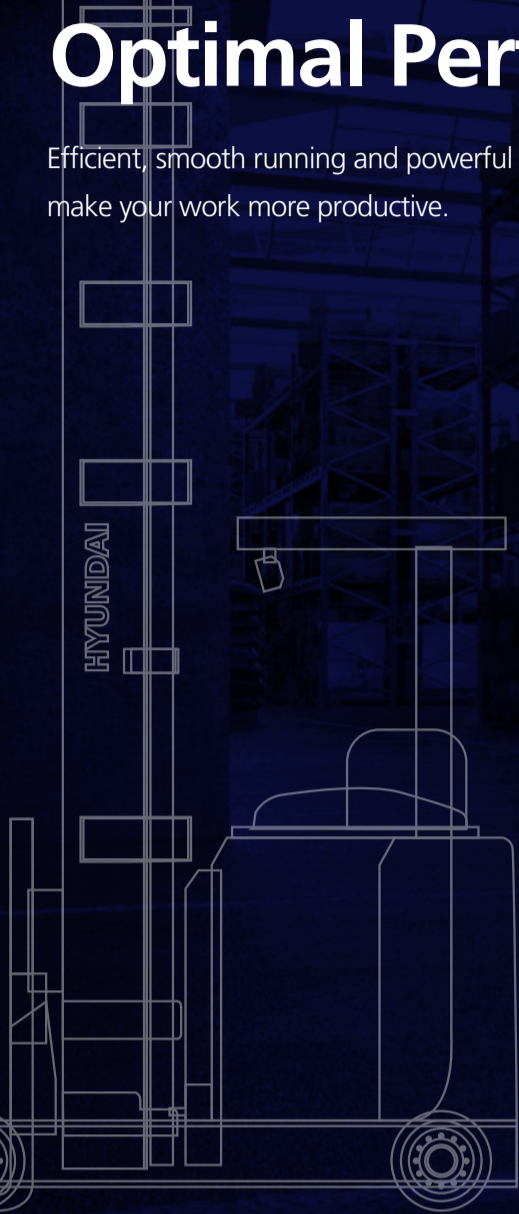
- Password starting system
- UL & CE certification DC-DC convertor
- Wide opening & Rotating hood
- Self-diagnosis system



Power & Performance

Superior Power & Optimal Performance

Efficient, smooth running and powerful performance make your work more productive.



Some of the photos may include optional equipment.

Minimum Turning Radius

Compact design suitable for narrow aisle operation guarantees work efficiency and maximum space utilization.



Versatile Reach Stroke

Multi-roller reach assembly provides for a smooth, controlled and safe load handling system, extended reach allows unsurpassed versatility.



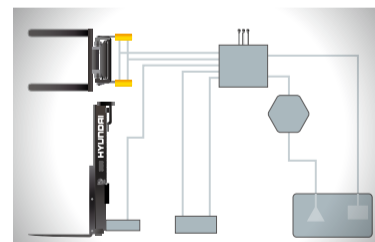
Drive motor & Pump motor

Efficient AC motor guarantees reliability and an optimized motor design provides for low noise levels. Temperature sensors ensure long motor life.



Electro magnetic brake

Increased brake torque and brake stability by electromagnetic load wheel brake.



State of the art Hydraulic System

The latest large-capacity hydraulic system reacts quickly during operation and the low noise control valve increases both efficiency and durability.

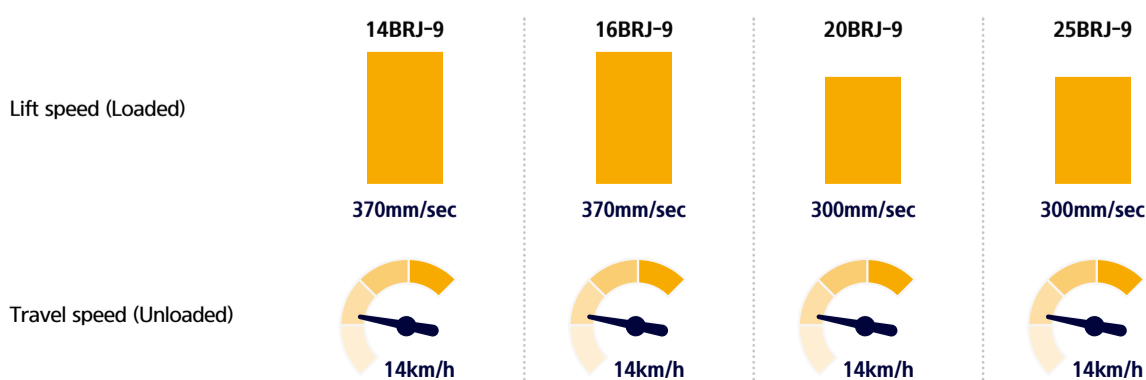


ZAPI AC Controller

The 8kHz (high frequency) ZAPI AC controller ensures optimal performance with less energy. Also, it protects the system from overheating and abnormal voltage.

Excellent Lift speed & Travel speed

The combination of the ZAPI AC controller, drive motor, and pump motor maximizes the work efficiency in logistics.



Function to increase work efficiency

- ① **Vehicle performance optimized for working condition** : This function optimizes the performance of vehicle for the purpose of work, such as speed of operation, maximum working time and operator's proficiency.
 - H (High) mode N (Normal) mode E (Economic) mode
- ② **Turtle mode** : When selecting the turtle mode while working in narrow and congested workplace, the travel speed is reduced at a preset speed.



Easy & Comfort

Optimised Ergonomics & Advanced Safety

The safely designed driver's space makes your operating more comfortable.



Some of the photos may include optional equipment.

Comfortable Operator Environment

A practically designed full suspension seat is fully adjustable for optimum operating position, reducing operating fatigue.

*Fabric seat (STD), PVC seat (optional)



Comfortable suspension seat

An attractive and adjustable seat, based on a human engineering design, provides great comfort. Also, the angle of the armrest can be adjusted to reduce the fatigue of the driver.

- Grammer Seat
- Adjustable suspension stiffness based on the driver's weight (45~170kg)
- ELR type seat belt standard
- Heater and Backrest extension (OPT)



FWD/REV Switch & Fingertip control

The forward/reverse switch provides the operator with precise and smooth directional control. And responsive fingertips with less energy offer productivity improvement and safety. So the driver can feel less fatigue.

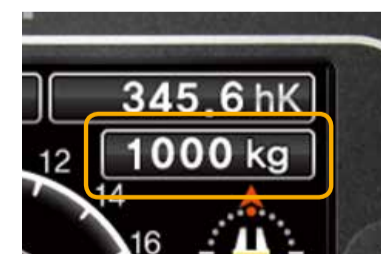


Break pedal

Smoother breaking is assured by the balanced design of the pedal and maintenance costs are lowered as the cover is easily replaceable.

Advanced LCD Monitor

The LCD color monitor with 3.5 inch graphic smart display allows the operator to easily and efficiently control the machine. The monitor provides information about speed & accelerator level, steer angle & travel direction, battery discharge indicator, hour meter & working mode. The operator can select various performance modes to meet all working conditions. Multilanguage (maximum 12) is available.



Load weight indicator (OPT)

When lifting a load, a change in hydraulic pressure of the lift line is converted to a measurement of weight displayed in real time, and a warning is given at the time of overload.

Auto tilt leveling (OPT)

Mounting the angle sensor on the back side of carriage enable operator to easily operate the vehicle by maintaining a level of the fork and ground.

Height indicator (OPT)

Mounting the height indicator on the side of mast will increase safety and convenience by displaying the height of fork on the LCD monitor in real time.

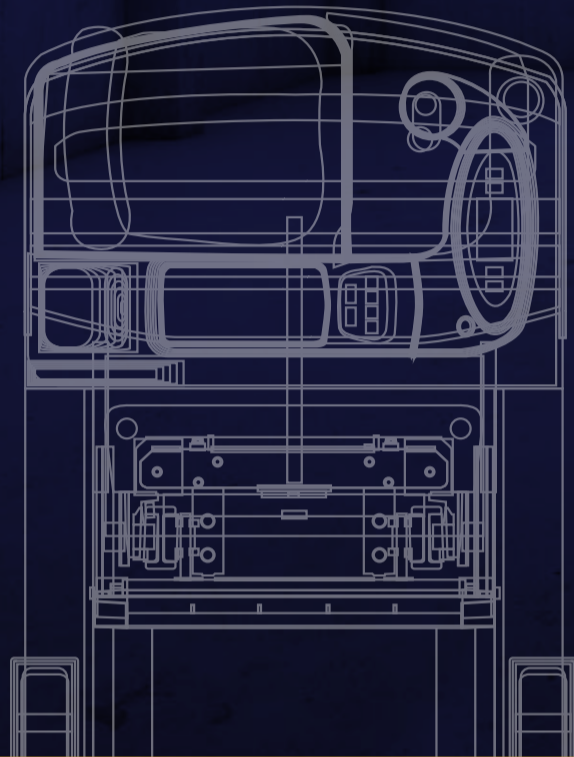


Secure & Safety

Excellent visibility

Reliable safety

Interior space and strengthened safety device are designed with safety as the priority, thus enable the operator to focus on work safely and conveniently.



Some of the photos may include optional equipment.

Excellent visibility for safe operation

Optimized lift cylinder arrangement provides operator with wider visibility.



Some of the photos may include optional equipment.



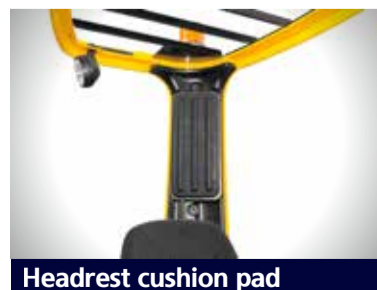
Non slip floor mat

A heavy, vibration dampening, non-slip floor mat reduces operator fatigue and allows for increased productivity.



Strong overhead guard

The safety overhead guard meets ISO 6055 and ANSI regulations and protects the operator during hazardous work.



Headrest cushion pad

A large and soft cushion pad is positioned for operator's safety and comfort.

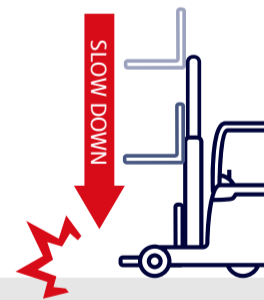
Safety features

The adoption of a high-sensitivity sensor and advanced safety system can prevent the safety accidents.



Curve control

Curve control limits travel speed based on turning radius for a smooth, precise turning operation for the driver.



Fork safety features

When the forks are being lowered, a down-control valve maintains the controlled speed. The down-safety valve prevents forks from dropping down in case of sudden damage of hydraulic line.



Anti roll back system

Anti Roll-back system offers protection against the machine rolling back on a ramp in combination with exceptional ramp start capabilities.



Automatic center position at starting

When the key ON, prox switch detects the position of drive wheel, and the wheel turns to the center position automatically.



Steering angle sensing system

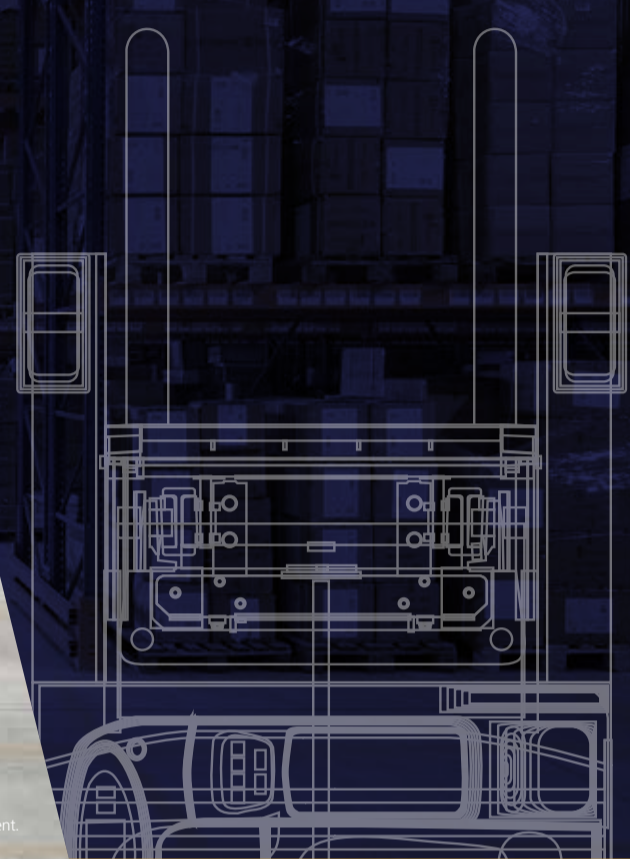
The symbol of the cluster shows the angle of the steering wheel. So the operator can easily predict the direction of the vehicle.



Maintenance & Convenience

Durability, Easy Maintenance

An ideal arrangement of components ensures easy access and convenience for maintenance.



Some of the photos may include optional equipment.

Durability, Easy Maintenance

An ideal arrangement of component parts ensures easy access and convenience for maintenance.



Some of the photos may include optional equipment.



Reliable MOSFET type controller

The self-diagnosis function of the controller allows operator to check the fault diagnosis and errors. Also, IP65 controller prevents the entry of water and dust completely.



Centralized fuse box

The centralized fuses ensure easy inspection and replacement.



Battery disconnect lever

The battery disconnect lever with large handle helps separate the battery connector from the vehicle.



Emergency switch

In case of an emergency, the emergency switch is installed to block the battery power supplied to the vehicle to prevent damage and safety accidents.



DC-DC Converter

DC-DC converter satisfied with UL & CE prevents from short circuit overload and reverse polarity.



Easy maintenance

The rotating hood with hinges can be opened up to 105 degrees. So the operator can check and repair the driving device located underneath the seat.



Easy battery replacement

By using the reach out function of the reach cylinder, the battery can be removed, checked, and exchanged easily.



Hydraulic Filter

A suction filter is installed inside the hydraulic tank, which prevents the damages of hydraulic pump and MCV valve.

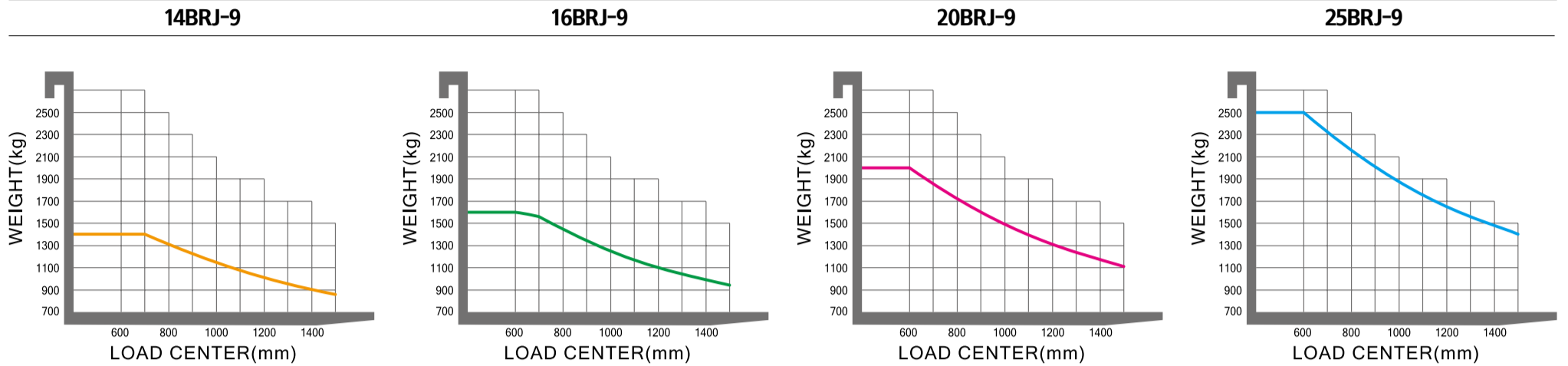


Password starting system

The equipment can be managed safely and protected from theft by setting the password.

New 9 Series

Load Capacity



Optional Items

- UL(ES)
- Beacon Lamp (LED / bulb) - Amber, Blue, Red
- Fork Camera, Carriage Camera
- Cold Storage
- Work Lamp (LED)
- Rear Lamp (LED, Bulb)
- Auto Tilt Leveling
- Load Indicator
- Battery
- Charger 3Phrases 220 / 380V, 410V, 440V
- Joystick Lever
- Fork Height Indicator & Preselector
- Fork(mm)
14/16BRJ-9: 900, 950, 1000, 1050, 1150, 1200 (STD), 1350, 1500, 1600
- 20/25BRJ-9: 1000, 1050, 1200 (STD), 1350, 1500, 1650, 1800
- Sideshift : Max. 140 mm
- Tire : Urethane (STD), Vulkollan (Optional)
- Seat : Fabric (STD), PVC (optional)

New 9 Series

Specification

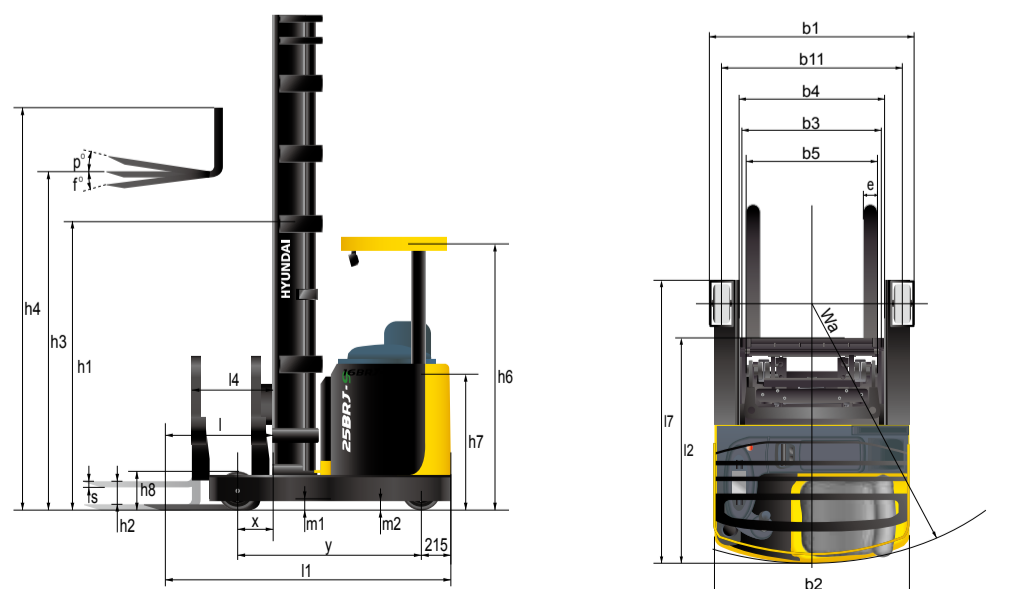
Identification		Hyundai				
1.1	Manufacturer	Hyundai				
1.2	Manufacturer's model designation	14BRJ-9	16BRJ-9	20BRJ-9	25BRJ-9	
1.3	Power supply(electric ,diesel,petrol,gas,manual)	electric	electric	electric	electric	
1.4	Type of operation(hand,pedestrian,standing,seated,order-picker)	seated	seated	seated	seated	
1.5	Load capacity / rated load	Q (kg)	1.4	1.6	2	2.5
1.6	Load center distance	c (mm)	600	600	600	600
1.8	Load distance, center of drive axle(loadwheel) to fork	x (mm)	314	364	340	490
1.9	Wheelbase	y (mm)	1410	1460	1520	1670
Weights						
2.1	Service weight (Incl. battery)	kg	3166	3259	3799	4025
2.3	Axle loading, reach in, unloaded front(drive)/rear(load)		1,896 / 1,270	2,015 / 1,244	2,247 / 1,552	2,537 / 1,488
2.4	Axle loading, reach out, loaded front(drive)/rear(load)	kg	602 / 3,964	610 / 4,249	631 / 5,168	688 / 5,837
2.5	Axle loading, reach in, loaded front(drive)/rear(load)	kg	1,612 / 2,954	1,756 / 3,103	1,905 / 3,895	2,372 / 4,152
Wheels, Chassis						
3.1	Tires(solid rubber, superelastic, pneumatic, polyurethane)	PE	PE	PE	PE	
3.2	Tires size, front(Drive)(Φ x width)	345x140	345x140	345x140	345x140	
3.3	Tires size, rear(Load)(Φ x width)	330x100	330x100	355x106	355x135	
3.5	Wheels, numbers(x=driven wheels), front(drive)/rear(load)	1x/2	1x/2	1x/2	1x/2	
3.6	Track width, front(drive)	b10 (mm)	0	0	0	0
3.7	Track width, rear(load)	b11 (mm)	1149	1149	1155	1184
Basic Dimensions						
4.1	Mast/fork carriage tilt forward/backward	degrees	2 / 5	2 / 5	2 / 5	2 / 5
4.2	Lowered mast height	h1 (mm)	2372	2372	2386	2386
4.3	Free lift (without backrest)	h2 (mm)	1761	1761	1717	1717
4.4	Lift height	h3 (mm)	5306	5306	5305	5305
4.5	Extended mast height (without backrest)	h4 (mm)	5812	5812	5974	5974
4.7	Overhead load guard (cab) height	h6 (mm)	2135	2135	2135	2135
4.8	Seat height/ standing height	h7 (mm)	942	942	942	942
4.10	Height of wheel arms	h8 (mm)	326	326	374	374
4.19	Overall length (Reach In, Fork End)	l1 (mm)	2511	2511	2595	2595
4.20	Length to face of forks (Reach In)	l2 (mm)	1311	1311	1395	1395
4.21	Overall width	b1/b2 (mm)	1279 / 1270	1279 / 1270	1291 / 1270	1349 / 1270
4.22	Fork dimensions(hook type)	s/e/l(mm)	40x100x1200	40x100x1200	45x100x1200	45x122x1200
4.23	Fork carriage ISO 2328, class/type A,B		2A	2A	2B	2B
4.24	Fork-carriage width	b3 (mm)	800	800	800	800
4.25	Overall fork width	b5 (mm)	732	732	732	732
4.26	Distance between support arms	b4 (mm)	951	951	951	951
4.28	Reach Stroke	l4 (mm)	513	563	555	705
4.31	Ground clearance, loaded, under mast	m1(mm)	114	114	109	109
4.32	Ground clearance, centre of wheelbase	m2(mm)	83	86	71	77
4.33	Aisle width for pallets 1000x1200 crossways	Ast(mm)	2749	2759	2834	2872
4.34	Aisle width for pallets 800x1200 lengthways	Ast(mm)	2810	2812	2890	2900
4.35	Turning radius	Wa(mm)	1638	1685	1742	1885
4.37	Length across wheel arms	l7(mm)	1813	1863	1935	2085

Performance Data			14	14	14	14
5.1	Travel speed, unloaded	km/h	14	14	14	14
5.2	Lift speed, loaded/ unloaded	mm/s	370 / 580	370 / 580	300 / 470	300 / 470
5.3	Lowering speed, loaded/unloaded	mm/s	500 / 450	500 / 450	500 / 450	500 / 450
5.6	Max. drawbar pull, loaded/ unloaded S2 5min	kg	580 / 610	570 / 600	710 / 750	700 / 750
5.8	Max. gradient performance, loaded/ unloaded S2 5min	%	13 / 18	12 / 18	12 / 19	11 / 18
5.10	Service brake		electric	electric	electric	electric

E-Motor			7.5	7.5	7.5	7.5
6.1	Dirve motor rating S2 60min	kW	7.5	7.5	7.5	7.5
6.2	Lift motor rating at S2 5min	kW	14	14	14	14
6.3	Battery acc. to DIN 43531/ 35/ 36 A, B, C,no		DIN43531	DIN43531	DIN43531	DIN43531
6.4	Battery voltage, nominal capacity K5	V/Ah	48 / 420	48 / 420	48 / 560	48 / 560
6.5	Battery weight(min)	kg	750	750	940	940
	Battery dimensions L/W/H	mm	1223 / 283 / 787	1223 / 283 / 787	1223 / 353 / 787	1223 / 353 / 787

Other Details			AC Mosfet	AC Mosfet	AC Mosfet	AC Mosfet
8.1	Type of drive control		AC Mosfet	AC Mosfet	AC Mosfet	AC Mosfet
8.2	Operating pressure for attachments	bar	160	170	170	190
8.3	Oil volume for attachments	l/min	25	25	25	25
8.4	Sound level at driver's ear according to DIN 12 053	db(A)	70	70	70	70

Dimension



* All specifications in this catalog are subject to change according to the optional items.

