

FXV N and FXV Technical Data High Lift Pallet Trucks



FXV 14 N/Li-Ion

FXV 14 N (i)/Li-Ion

FXV 16 N/Li-Ion

FXV 16 N (i)/Li-Ion

FXV 14/Li-Ion

FXV 14 (i)/Li-Ion

FXV 16/Li-Ion

FXV 16 (i)/Li-Ion





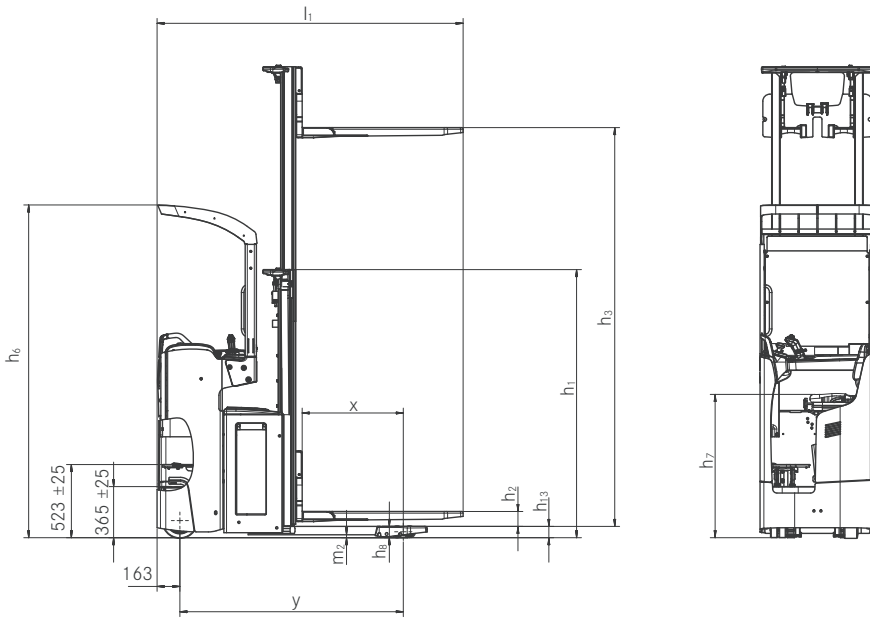
Features			STILL	STILL	STILL	STILL	STILL	STILL	STILL	STILL	STILL
			FXV 14 N/Li-Ion	FXV 14 N (i)/Li-Ion	FXV 16 N/Li-Ion	FXV 16 N (i)/Li-Ion	FXV 14/Li-Ion	FXV 14 (i)/Li-Ion	FXV 16/Li-Ion	FXV 16 (i)/Li-Ion	FXV 16 (i)/Li-Ion
1.1	Manufacturer										
1.2	Manufacturer's model designation										
1.3	Drive		Electro	Electro	Electro	Electro	Electro	Electro	Electro	Electro	Electro
1.4	Operation		Ride-on truck	Ride-on truck	Ride-on truck	Ride-on truck	Ride-on truck	Ride-on truck	Ride-on truck	Ride-on truck	Ride-on truck
1.5	Nominal load	kg	1400	1400 (2000)	1600	1600 (2000)	1400	1400 (2000)	1600	1600 (2000)	1600 (2000)
1.6	Load centre distance	mm	600	600	600	600	600	600	600	600	600
1.8	Load distance	mm	724 ³	724 ³	724 ³	724 ³	724 ³	724 ³	724 ³	724 ³	724 ³
1.9	Wheel base	mm	1597 ³	1597 ³	1597 ³	1597 ³	1603 ³	1603 ³	1603 ³	1603 ³	1603 ³
Weights	2.1	Service weight incl. battery	kg	1580 ¹	1499 ¹	1580 ¹	1499 ¹	1697 ¹	1616 ¹	1697 ¹	1616 ¹
	2.2	Axle load, laden	kg	1271/1909 ¹	1179/1920 ¹	1271/1909 ¹	1179/1920 ¹	1318/1979 ¹	1142/2074 ¹	1318/1979 ¹	1142/2074 ¹
2.3	Axle load, unladen	kg	1050/530 ¹	971/528 ¹	1050/530 ¹	971/528 ¹	1119/578 ¹	1066/550 ¹	1119/578 ¹	1066/550 ¹	
Wheels/chassis	3.1	Tyres		Polyurethane	Polyurethane	Polyurethane	Polyurethane	Polyurethane	Polyurethane	Polyurethane	Polyurethane
	3.2	Tyre size	mm	254 x 102	254 x 102	254 x 102	254 x 102	254 x 102	254 x 102	254 x 102	254 x 102
	3.3	Tyre size	mm	85 x 85 (2x 85 x 60) ²	85 x 85 (2x 85 x 60) ²	85 x 85 (2x 85 x 60) ²	85 x 85 (2x 85 x 60) ²	2x 85 x 60 ²	2x 85 x 60 ²	2x 85 x 60 ²	2x 85 x 60 ²
	3.4	Support rollers size	mm	2 x 140 x 50	2 x 140 x 50	2 x 140 x 50	2 x 140 x 50	2 x 140 x 50	2 x 140 x 50	2 x 140 x 50	2 x 140 x 50
	3.5	Number of wheels (x = driven)		1 x+1/2 (1 x+1/4) ²	1 x+1/2 (1 x+1/4) ²	1 x+1/2 (1 x+1/4) ²	1 x+1/2 (1 x+1/4) ²	1 x+1/4 ²	1 x+1/4 ²	1 x+1/4 ²	1 x+1/4 ²
Basic dimensions	4.2	Height	mm	541/380	541/380	541/380	541/380	699/380	699/380	699/380	699/380
	4.3	Free lift	mm	see mast table	see mast table	see mast table	see mast table	see mast table	see mast table	see mast table	see mast table
	4.4	Lift	mm	see mast table	see mast table	see mast table	see mast table	see mast table	see mast table	see mast table	see mast table
	4.5	Height ⁴	mm	see mast table	see mast table	see mast table	see mast table	see mast table	see mast table	see mast table	see mast table
	4.6	Initial lift	mm	-	125	-	125	-	125	-	125
	4.7	Height above protective roof	mm	2260	2260	2260	2260	2260	2260	2260	2260
	4.8	Seat height rel. to SIP	mm	1024	1024	1024	1024	1166	1166	1166	1166
	4.10	Height of wheel arms	mm	80	80	80	80	80	80	80	80
	4.15	Fork height, lowered	mm	86	86	86	86	86	86	86	86
	4.19	Total length	mm	2187 ¹	2187 ¹	2187 ¹	2187 ¹	2187 ¹	2187 ¹	2187 ¹	2187 ¹
	4.20	Length including fork backs	mm	1037 ¹	1037 ¹	1037 ¹	1037 ¹	1037 ¹	1037 ¹	1037 ¹	1037 ¹
	4.21	Total width	mm	820	820	820	820	970	970	970	970
	4.22	Fork dimensions	mm	71/180/1150	71/180/1150	71/180/1150	71/180/1150	71/180/1150	71/180/1150	71/180/1150	71/180/1150
	4.23	Wheel dimensions	mm	75/150/1115	75/150/1115	75/150/1115	75/150/1115	75/150/1115	75/150/1115	75/150/1115	75/150/1115
	4.24	Fork carriage width	mm	780	780	780	780	780	780	780	780
4.25	Overall fork width	mm	560	560	560	560	560	560	560	560	
4.26	Width between wheel arms	mm	255	255	255	255	255	255	255	255	
4.32	Ground clearance, centre of wheel base	mm	30	20	30	20	30	20	30	20	
4.34	Working aisle width for 800 x 1200 pallet lengthways	mm	2606 ¹	2606 ¹	2606 ¹	2606 ¹	2619 ¹	2619 ¹	2619 ¹	2619 ¹	
4.35	Turning radius	mm	1783 ¹	1783 ¹	1783 ¹	1783 ¹	1796 ¹	1796 ¹	1796 ¹	1796 ¹	
Performance data	5.1	Driving speed	km/h	10/10	10/10	10/10	10/10	10/12	10/12	10/12	10/12
	5.2	Lifting speed	m/s	0.144/0.447	0.144/0.447	0.144/0.447	0.144/0.447	0.144/0.447	0.144/0.447	0.144/0.447	0.144/0.447
	5.3	Lowering speed, initial lift	m/s	0.045/0.088	0.045/0.088	0.045/0.088	0.045/0.088	0.045/0.088	0.045/0.088	0.045/0.088	0.045/0.088
	5.3	Lowering speed, initial lift	m/s	0.076/0.072	0.076/0.072	0.076/0.072	0.076/0.072	0.076/0.072	0.076/0.072	0.076/0.072	0.076/0.072
	5.8	Max. gradeability	%	20/11/-	20/11/9	20/11/-	20/11/9	20/31/-	20/13/12	20/31/-	20/13/12
5.10	Service brake		Electromagnetic	Electromagnetic	Electromagnetic	Electromagnetic	Electromagnetic	Electromagnetic	Electromagnetic	Electromagnetic	
Electric engine	6.1	Drive motor, rating S2 = 60 min.	kW	3.0	3.0	3.0	3.0	3.0	3.0	3.0	3.0
	6.2	Lift motor, rating at S3 = 10%	kW	3.2	3.2	3.2	3.2	3.2	3.2	3.2	3.2
	6.3	Battery as per DIN 43531/35/36 A, B, C, no		3PzS	3PzS	3PzS	3PzS	3PzS	3PzS	3PzS	3PzS
	6.4	Battery voltage/rated capacity Ks	V/Ah	24/300 Li-Ion: 23/205	24/300 Li-Ion: 23/205	24/300 Li-Ion: 23/205	24/300 Li-Ion: 23/205	24/300 Li-Ion: 23/205	24/300 Li-Ion: 23/205	24/300 Li-Ion: 23/205	24/300 Li-Ion: 23/205
	6.5	Battery weight ±5% (depends on manufacturer)	kg	290	290	290	290	290	290	290	290
	6.6	Energy consumption according to VDI cycle	kWh/1h	1.65	1.65	1.65	1.65	1.41	1.41	1.41	1.41
	6.7	Handling capacity	t/h	64	64	64	64	67	67	67	67
Misc.	8.1	Transmission control		AC control	AC control	AC control	AC control	AC control	AC control	AC control	AC control
	10.7	Noise level (at operator's ear)	dB(A)	65	65	65	65	65	65	65	65
Human vibrations: Acceleration in accordance with EN 13059			m/s ²	0.56	0.56	0.56	0.56	0.56	0.56	0.56	0.56

¹ With 3PzS battery
² With tandem rollers
³ Initial lift lowered
⁴ With load backrest + 566 mm

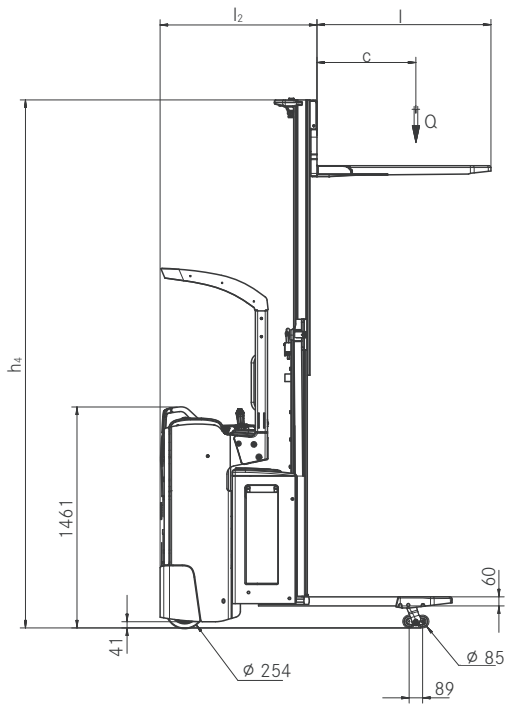
Mast Tables

FXV 14/16 N (i)	Telescopic mast				HiLo mast				Triplex mast				
	h ₁	h ₁ ¹	h ₂	h ₃	h ₁	h ₁ ¹	h ₂	h ₃	h ₁	h ₁ ¹	h ₂	h ₃	h ₄
Height	1415	1490	150	1844	1415	1490	150	1844	1415	1490	150	1844	2364
Mast height with used free lift	1665	1740	150	2344	1665	1740	150	2344	1665	1740	150	2344	2864
Free lift	1915	1990	150	2844	1915	1990	150	2844	1915	1990	150	2844	3364
Lift	2115	2190	150	3244	2115	2190	150	3244	2115	2190	150	3244	3764
Height, mast extended	2365	2440	150	3744	2365	2440	150	3744	2365	2440	150	3744	4264
Height, mast extended	2565	2640	150	4144	2565	2640	150	4144	2565	2640	150	4144	4644
Height, mast extended	2815	2890	150	4644	2815	2890	150	4644	2815	2890	150	4644	5164
Height, mast extended	1415	1490	150	1844	1415	1490	150	1844	1415	1490	150	1844	2364
Height, mast extended	1665	1740	150	2344	1665	1740	150	2344	1665	1740	150	2344	2864
Height, mast extended	1915	1990	150	2844	1915	1990	150	2844	1915	1990	150	2844	3364
Height, mast extended	2115	2190	150	3244	2115	2190	150	3244	2115	2190	150	3244	3764
Height, mast extended	2365	2440	150	3744	2365	2440	150	3744	2365	2440	150	3744	4264
Height, mast extended	2565	2640	150	4144	2565	2640	150	4144	2565	2640	150	4144	4644
Height, mast extended	2815	2890	150	4644	2815	2890	150	4644	2815	2890	150	4644	5164

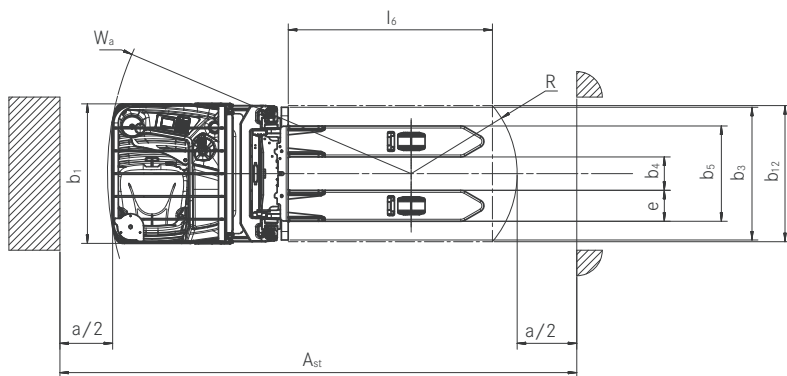
FXV N High Lift Pallet Truck
 Technical Drawings



Side view FXV N

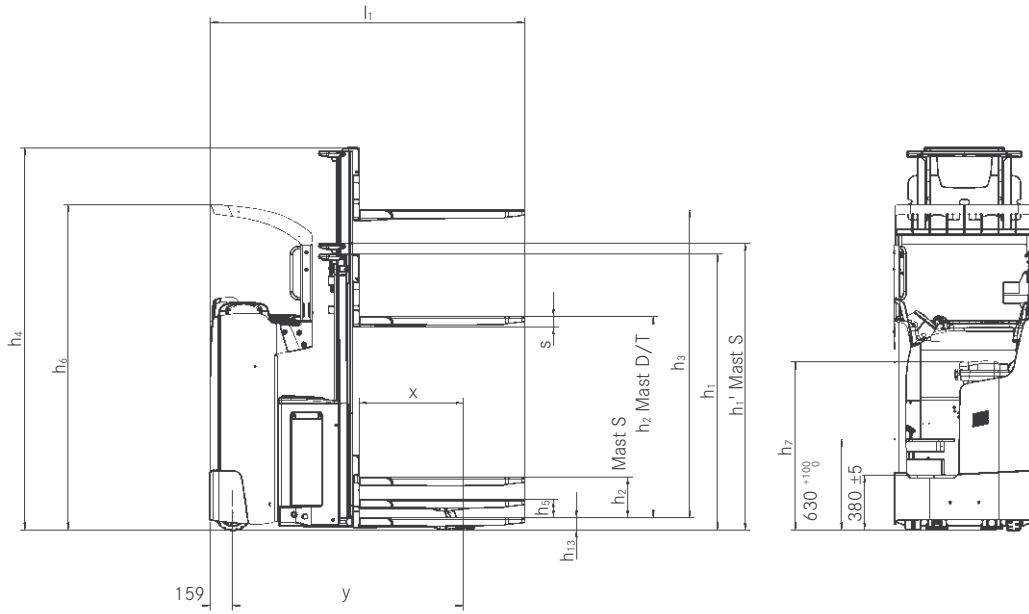


Side view FXV N

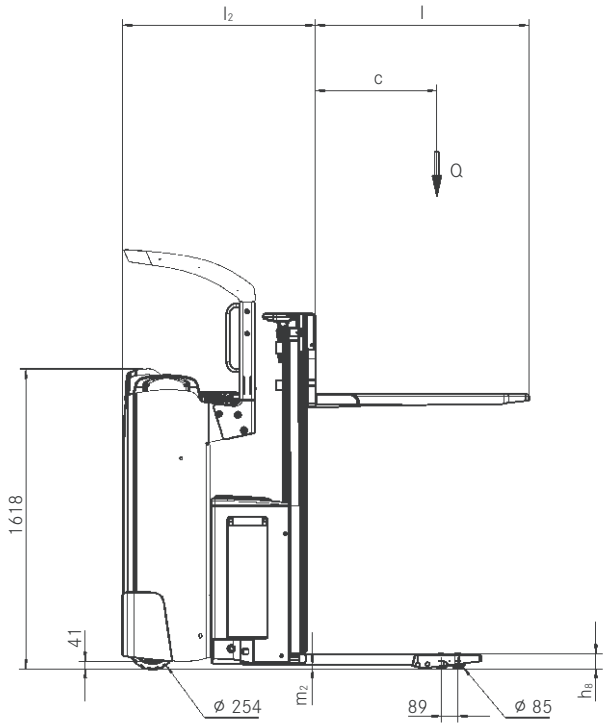


Top view FXV N

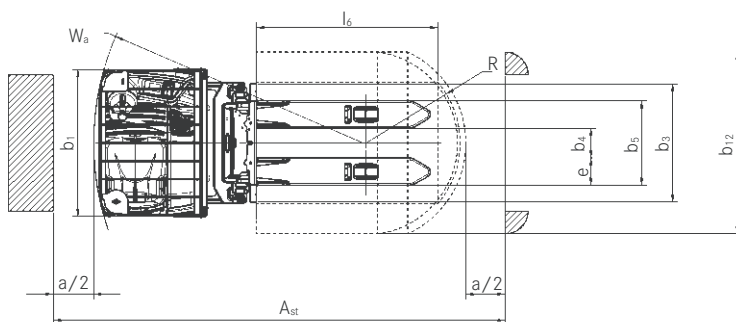
FXV High Lift Pallet Truck
 Technical Drawings



Side view FXV



Side view FXV



Top view FXV

FXV N High Lift Pallet Truck

Detailed Photos



High handling capacity thanks to horizontal transport of loads up to 2000 kg on the initial lift



Optimum view of forks for high handling capacity and fast threading into pallets



Particularly compact truck chassis for operation in narrow aisles



Individual operation thanks to optional Joystick 4Plus for lifting, lowering and transmission control without having to change hands



Standard lateral battery change for maximum availability and ergonomics



Optional automatic level compensation for uneven floors and best possible handling

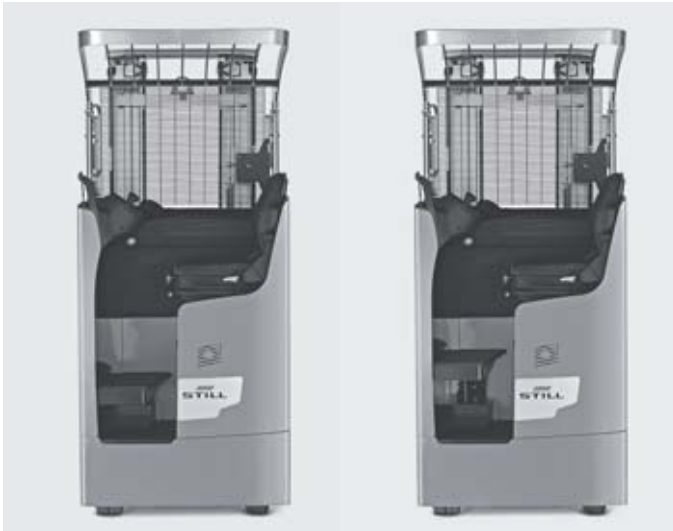
FXV High Lift Pallet Truck Detailed Photos



High handling capacity with up to 1600 kg lifting capacity and lift heights of up to 6216 mm



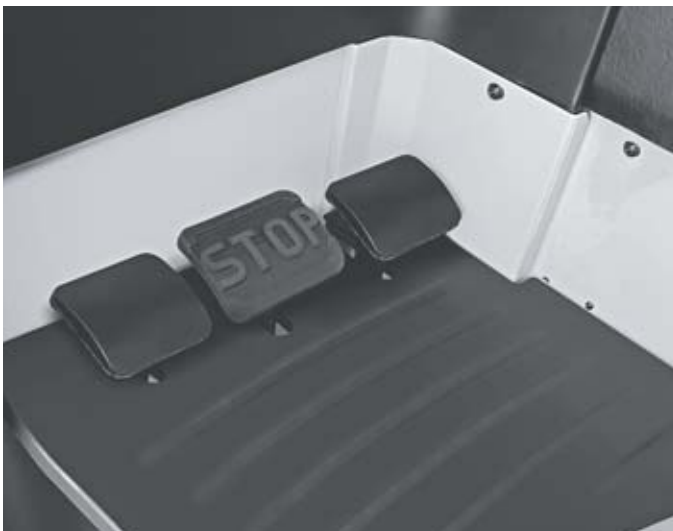
Rapid change of direction and high handling capacity with optional pedals



Fatigue-free travel thanks to the comfort seat and adjustable foot plate for individual operator requirements



Everything in view, all the time: display shows battery status, date and time



Precision down to your toes with pedals for fast direction changes



Always available: the lithium-ion battery is extremely powerful and allows for quick and easy interim charging

FXV N/FXV High Lift Pallet Trucks
Aiming high in narrow aisles



FXV N/FXV High Lift Pallet Trucks Aiming high in narrow aisles

Best performance: maximum lifting height of 5316 mm and driving speeds (up to 10 km/h)

Maximum precision: Joystick 4Plus and clear view of the forks

Maximum availability: lateral battery change and optional Li-ion technology



FXV N

Aim high with flexible, innovative performance – that is the credo of the energy-efficient FXV 14/16 N high lift pallet truck. It is one of the absolute top performers in its class and can lift up to 1600 kg to a height of more than five meters with an impressive lifting speed. The fleet's top speed of 10 km/h goes hand in hand with optimal safety: the driving speed automatically reduces when cornering and can optionally be adapted dynamically to the current lifting height. The

compact high lift pallet truck is particularly flexible in the choice and arrangement of control elements. For example, the STILL FXV 14/16 N is available with either a steering knob or steering wheel, which can be mounted on either the left- or right-hand side. In combination with the fixed joystick, it provides intuitive and sensitive operation, which can be made even more comfortable with the optional Joystick 4Plus.

Unbeaten handling capacity: lift heights up to 6216 mm and maximum driving speed of 12 km/h

Precision in perfection: pedals and Joystick 4Plus for precise manoeuvring

Always available: battery capacity up to 625 Ah and optional Li-ion technology



FXV

Ergonomic operation with maximum handling capacity – that is what the FXV 14/16 stands for. With a lifting height of more than 6.2 m and a lifting capacity of up to 1600 kg, it offers the best possible storage density. It is unparalleled for speed; at up to 12 km/h, the FXV is out in front of other high lift pallet trucks. Not only does it move quickly, it is also very safe thanks to the automatic speed reduction based on the steering angle and lifting height. The FXV can handle long operating

times and multi-shift operation with ease. With a battery capacity of up to 625 Ah and optional Li-ion technology, the FXV keeps on going when others have run out of steam. Drivers won't want to leave their cab as the comfortable driver's seat and pedals offer maximum driving comfort, even on long journeys. The FXV offers the ideal combination of performance and comfort for any warehouse.

FXV N/FXV High Lift Pallet Trucks Extensive Equipment

Power

- Aim high: lift heights of up to 6216 mm
- Effective goods handling: driving speed of up to 12 km/h
- Sufficient power for multiple-shift operation: high battery capacity of up to 625 Ah
- Full power: maintenance-free 3 kW AC drive in 24 V technology
- Safe transport of goods thanks to the robust chassis with level compensation as standard
- Always available: the lithium-ion battery is extremely powerful and allows for quick and easy interim charging
- The right driving programme for all situations: ECO, BOOST or Blue-Q – from maximum handling rate to highest efficiency

Precision

- Precise handling of all functions with the joystick without having to keep changing hands
- Fatigue-free operation: precise and smooth electrical steering
- Precise down to the base: optional pedals for fast change of direction and high handling capacity
- Compact and agile: gets to work effortlessly in confined spaces and narrow aisles
- Sensitive and intuitive operation with the proportional valve technology for lifting and lowering
- Everything in view, all the time: display shows battery status, date and time

Ergonomics

- Reduced impact when driving over uneven surfaces with cushioned driver's seat
- Maximum operator comfort thanks to height-adjustable foot plate
- All functions can be easily operated without the need to change hands using the Joystick 4Plus
- Ergonomic and intuitive operation: FXV N available with either steering wheel or steering knob
- Always in operation: easy access to service points and fast lateral battery change
- Individual customisation options: adjustable steering forces and reverse steering

Compactness

- High pallet reloading rate: flexible application options thanks to the compact dimensions
- Optimal use of the warehouse space: truck widths of 820 mm or 970 mm for every application

Safety

- Extremely safe round corners: Curve Speed Control automatically adjusts speed to the steering angle when cornering
- Extremely safe to drive due to speed limiter based on mast height
- High stability on uneven surfaces thanks to the standard automatic level compensation
- The large step and low entry ensure easy and safe access
- Versatile, flexible access control with FleetManager 4.x
- Knowing the weight: Dynamic Load Control indicates the weight of the load and the associated lift height

Environmental Responsibility

- Energy savings of up to seven percent at the touch of a button with no loss of performance: Blue-Q efficiency mode
- Low operating costs: low energy consumption and long maintenance intervals
- Low noise emissions due to extremely quiet drive and lifting motor
- Recyclable: over 95 percent of all installed materials are recyclable

FXV N/FXV High Lift Pallet Trucks Equipment Variants



	FXV 14 N (i)	FXV 16 N (i)	FXV 14 (i)	FXV 16 (i)	
General	Cushioned driver's seat	●	●	●	●
	Height-adjustable foot plate	●	●	●	●
	Colour display and control unit	●	●	●	●
	Integrated storage options	●	●	●	●
	Fully electric steering	●	●	●	●
	Fully electric steering with reversing function	○	○	○	○
	Hydraulic operation using fixed joystick	●	●	—	—
	Hydraulic operation using Joystick 4Plus	○	○	●	●
	Driving using single pedal	—	—	○	○
	Driving using dual pedal	—	—	○	○
	Steering wheel on the left-hand side	●	●	●	●
	Steering knob on the left-hand side	○	○	—	—
	High-performance AC drive motor	●	●	●	●
	Cold store variant	○	○	○	○
	Accessory rods on the left-hand side	○	○	○	○
	DIN A4 writing surface	○	○	○	○
	Preparation for data terminal	○	○	○	○
	Data transfer via Bluetooth or GPRS	○	○	○	○
	Low entry point and handle	●	●	●	●
	Mast	Telescopic mast	○	○	○
HiLo mast		○	○	○	○
Triplex mast		○	○	○	○
Mast protective grille		●	●	●	●
Protective mast screen made from polycarbonate		○	○	○	○
Initial lift		○	○	○	○
Tyres	Load rollers, polyurethane, single	●	●	—	—
	Load rollers, polyurethane, tandem	○	○	●	●
	Load rollers, polyurethane, tandem, lubricated	○	○	○	○
	Drive wheel, polyurethane	●	●	●	●
	Drive wheel, polyurethane, profiled	○	○	○	○
	Drive wheel, polyurethane, soft	○	○	○	○
	Drive wheel, solid rubber	○	○	○	○
Drive wheel, solid rubber, profiled	○	○	—	—	
Safety	Automatic level compensation	●	●	●	●
	Access authorisation (key)	●	●	●	●
	Access authorisation (digicode)	○	○	○	○
	FleetManager access authorisation (digicode)	○	○	○	○
	FleetManager access authorisation (STILL chip/customer card/customer chip)	○	○	○	○
	FleetManager: shock detection	○	○	○	○
	Curve Speed Control: speed reduction when driving around corners	●	●	●	●
	Dynamic Load Control	○	○	○	○
	Speed reduction based on mast height	●	●	●	●
	Speed limited to 8 km/h	○	○	○	○
	Load backrest	○	○	○	○
	Overhead guard	●	●	●	●
Battery	Lateral battery change with roller track	●	●	●	●
	Battery compartment for battery up to 375 Ah	●	●	●	●
	Battery compartment for battery up to 500 Ah	○	○	○	○
	Battery compartment for battery up to 625 Ah	—	—	○	○
	205 Ah Li-Ion battery	○	○	○	○
410 Ah Li-Ion battery	○	○	○	○	

● Standard ○ Optional — Not available



STILL GmbH
Berzeliusstraße 10
D-22113 Hamburg
Tel.: +49 (0)40/73 39-20 00
Fax: +49 (0)40/73 39-20 01
info@still.de

For further information please visit:
www.still.eu

STILL is certified in the following areas: Quality management, occupational safety, environmental protection and energy management.



first in intralogistics